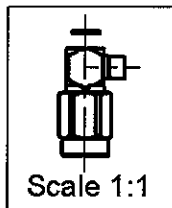
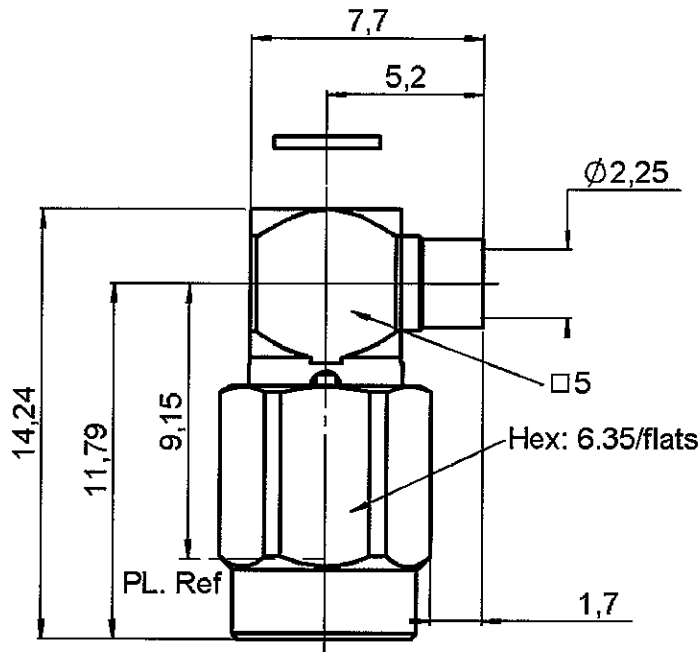


RIGHT ANGLE PLUG SOLDER TYPE

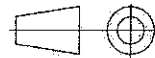
R121.153.030 X

CABLE .085

Series : SSMA-X



All dimensions are in mm.



COMPONENTS	MATERIALS	PLATINGS (µm)
BODY	STAINLESS STEEL	GOLD 0.5 OVER NICKEL 2
CENTER CONTACT	BERYLLIUM COPPER	GOLD 2.5 OVER NICKEL 2
OUTER CONTACT	-	-
INSULATOR	PTFE	-
GASKET	SILICONE RUBBER	-
OTHERS PARTS	STAINLESS STEEL	GOLD 0.5 OVER NICKEL 2
-	-	-
-	-	-

Issue : 0442 A

In the effort to improve our products, we reserve the right to make changes judged to be necessary.



RIGHT ANGLE PLUG SOLDER TYPE

R121.153.030 X

CABLE .085

Series : SSMA-X

PACKAGING

Standard	Unit	Other
1	-	Contact us

SPECIFICATION
RAD-GEN-CONN-001

ELECTRICAL CHARACTERISTICS

Impedance		50 Ω
Frequency		0-12.4 GHz
VSWR	1.10 +	0.010 x F(GHz) Maxi
Insertion loss		0.03 √F(GHz) dB Maxi
RF leakage	- (- F(GHz)) dB Maxi
Voltage rating		250 Veff Maxi
Dielectric withstanding voltage		750 Veff mini
Insulation resistance		5000 MΩ mini

CABLE ASSEMBLY

Stripping	a	b	c	d	e	f
mm	2.00	0.00	0.00	0.00	0.00	0.00

Assembly instruction : **Solder 02**

Recommended cable(s)
KS 1
RG 405

Characteristics indicated on this data sheet are those that can be achieved with the highest performance cable. Intrinsic limitations of the cable may diminish the performance of the assembly

Cable retention

- pull off **200** N mini
- torque **NA** N.cm

MECHANICAL CHARACTERISTICS

Center contact retention		
Axial force – Mating end	22	N mini
Axial force – Opposite end	22	N mini
Torque	NA	N.cm mini

TOOLING

Part Number	Description	Hexagon
R282.118.010		

Recommended torque		
Mating	80	N.cm
Panel nut	NA	N.cm
Clamp nut	NA	N.cm
A/F clamp nut	0.000	mm

OTHERS CHARACTERISTICS

Mating life	500	Cycles mini
Weight	2.300	g

ENVIRONMENTAL

Operating temperature	-55/+115	° C
Hermetic seal	NA	Atm.cm3/s
Panel leakage	NA	

Issue : 0442 A

In the effort to improve our products, we reserve the right to make changes judged to be necessary.



RADIALL®